



REDEFINING PIPETTING

Accumax Pipette Controller

Accumax Pipette Controller

Pipette controllers are meant to make your work with Pipettes easier, but more often than not because of poorly designed products, they end-up creating more problems than solutions, resulting in waste of both money as well as time. Most devices found in the market suffer from the same problem that they advertise to solve-convenience. Due to lack of proper research into customer habits and feedback, the design of the device suffers which leads to problems in use and performance.

Understanding the shortcomings of existing products in the market allows our team to design and develop a product which offers exceptional performance through unique features like the double safety valves which provide added protection against fluid penetration, dual speed modes etc.



Product Features



Powerful Pump Can Fill A 25 ML Pipette Under 4 Seconds.



Exceptionally Designed Soft Grip Push Buttons For An Amazing User-experience.



Double Safety Valve And Hydrophobic Filters Offer Double Protection Against Fluid Penetration



Three Speed Modes - High & Low Along With Gravity Drain For Unmatched Convenience



Option Of Fine-tuning The Pump Speed By Varying Finger Pressure On Operating Knobs For Better Control Of Speed

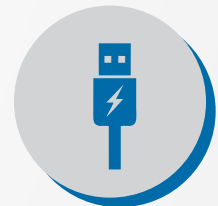
Operates On Environmentally Friendly & Sustainable NiMH Batteries Which Are Cadmium Free



Allows For Easy Replacement Of The Batteries By The User.



Special Intelligent Charger Prevents Overcharging / Heating Of Batteries



Low Battery Indicator Which Provides Adequate Warning To The User To Charge The Device.



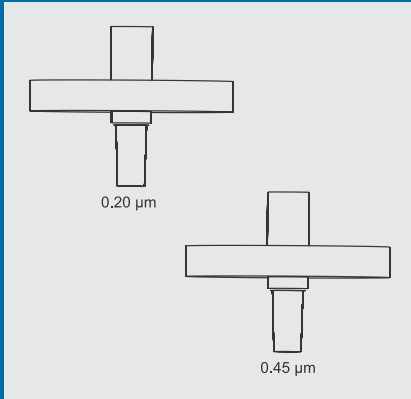
Can Be Charged While Resting On A Specially Designed Desktop Stand



Ordering Information

Accumax Controller		
Description	Cat #	Color
Pipet Controller - Red	PH01-R	 A white pipet controller with a red handle and red accents on the side and bottom. The text "Pipet Controller" is printed in red on the upper part of the handle, and "Accumax" is printed in red on the lower part.
Pipet Controller - Blue	PH01-B	 A white pipet controller with a blue handle and blue accents on the side and bottom. The text "Pipet Controller" is printed in blue on the upper part of the handle, and "Accumax" is printed in blue on the lower part.
Pipet Controller - Orange	PH01-O	 A white pipet controller with an orange handle and orange accents on the side and bottom. The text "Pipet Controller" is printed in orange on the upper part of the handle, and "Accumax" is printed in orange on the lower part.
Pipet Controller - Green	PH01-G	 A white pipet controller with a green handle and green accents on the side and bottom. The text "Pipet Controller" is printed in green on the upper part of the handle, and "Accumax" is printed in green on the lower part.

Ordering Information



Hydrophobic filter



Battery Charger



Silicon Pipette holder



table top stand



wall mounting stand



Accumax Lab Devices Pvt. Ltd.
www.accumaximum.com



ISO 9001:2015
ISO 13485:2016

* OEM request can be entertained. Specifications can be changed without notice for quality improvement.